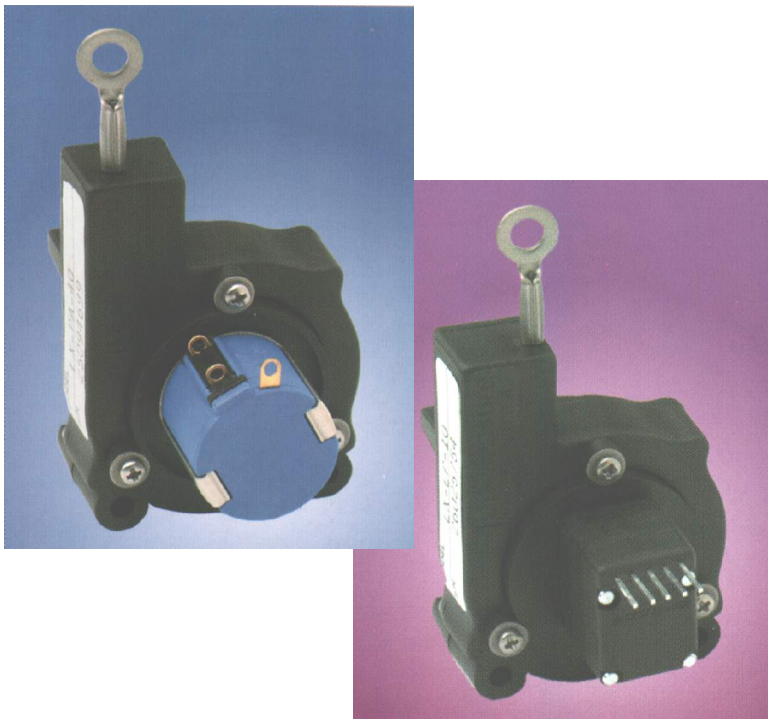


# ***DRAW WIRE***

## ***Draw wire position sensor OEM***



***Series  
LX-PA  
LX-EP***

- ***Range 50 mm...1250 mm***
- ***Analogue or Digital output***
- ***Infinite resolution (max. 4,46 Pulses/mm)***
- ***Linearity  $\pm 1\%$  MB***
- ***Lightweight (85 g)***
- ***Thermoplastic Body***
- ***Compact Size***
- ***Easy Installation***
- ***High-quality steel cable***

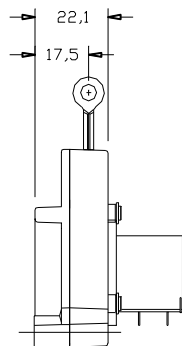
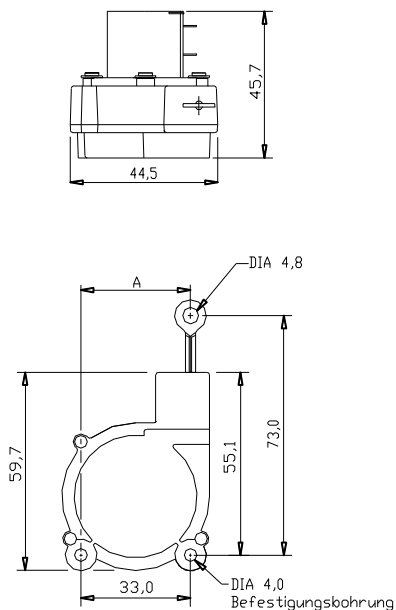
## Technical Data

	<b>LX-PA Series</b>	<b>LX-EP Series</b>
<b>Resolution</b>	Nearly infinitely	see table
<b>Range</b>	see table	see table
<b>Sensing Device</b>	Precision potentiometer	Incremental Optical Encoder
<b>Excitation Voltage</b>	max. 25 V	5 ± 0,25 VDC
<b>Output</b>	0...1000 Ohm, ±0,15%	2 channel square wave in quadrature, TTL level current sinking with 4.5KOhm pull-ups
<b>Linearity</b>	±1% ranges to 120 mm; ±0,5% ranges to 625 mm; ±0,25% ranges to 1250 mm	0,10% of Full Scale
<b>Repeatability</b>	±0,03% Full Scale	±0,015% Full Scale
<b>Cable</b>	Jacketed stainless steel	Jacketed stainless steel
<b>Construction</b>	Thermoplastic body	Thermoplastic body
<b>Temperature</b>	-25...+75°C Operating -50...+80°C Storage	-40...+75°C Operating -40...+85°C Storage
<b>Humidity</b>	~95%, non-condensing	~95%, non-condensing
<b>Weight</b>	85g	85g
<b>Connection</b>	solder terminal	5-PIN 64mm square pins on 2.54mm centers
<b>Life</b>	Ranges to 120mm: 1.000.000 full stroke cycles Ranges to 625mm: 250.000 full stroke cycles Ranges to 1250mm: 125.000 full stroke cycles	Ranges to 625mm: 2 000.000 full stroke cycles Ranges to 1250mm: 1 000.000 full stroke cycles

## Range

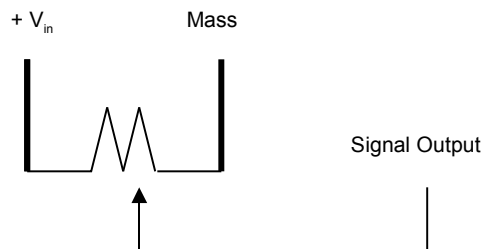
Model	Range	Output	Wire Rope	Model	Range	Resolution	Wire Rope
LX-PA	(mm)	(nominal)	Tension	LX-EP	(mm)	(Pulses/mm)	Tension
		(mV/V/mm)	(nominal) (N)				(nominal) (N)
LX-PA 2	50	18,5	4,4	LX-EP 10	250	4,46	4,4
LX-PA 2,8	70	13,4	3,9	LX-EP 15	380	3,25	3,9
LX-PA 3,8	96	10,1	3,1	LX-EP 20	500	2,45	3,1
LX-PA 4,7	120	8,1	2,2	LX-EP 25	625	1,98	2,2
LX-PA 10	250	3,5	4,4	LX-EP 30	750	3,25	3,9
LX-PA 15	380	2,5	3,9	LX-EP 40	1000	2,45	3,1
LX-PA 20	500	1,9	3,1	LX-EP 50	1250	1,98	2,2
LX-PA 25	625	1,5	2,2				
LX-PA 30	750	1,3	3,9				
LX-PA 40	1000	1,0	3,1				
LX-PA 50	1250	0,8	2,2				

## LX-PA Series Dimensions and Connection

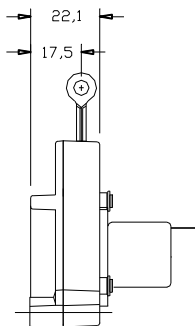
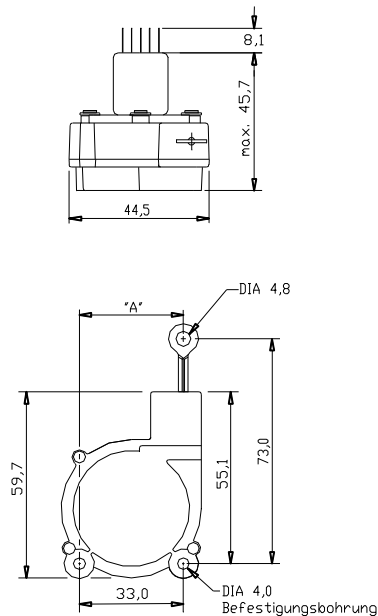


### Length A (mm) Range (mm)

25,7	50, 250
29,0	70, 380, 750
33,0	96, 500, 1000
37,1	120, 625, 1250



## LX-EP Series Dimensions and Connection



### Length A (mm) Range (mm)

25,7	250
29,0	380, 750
33,0	500, 1000
37,1	625, 1250

